

CRATE

BV215B

Guitar Speaker Enclosure



Please read this operation guide
prior to using your new enclosure.



BV215B Guitar Enclosure

Your Crate BV215B Dual 15" Guitar Cabinet is built from the finest materials and components available. The cabinet is carefully constructed from 13 ply Baltic Birch and covered with extremely tough Tolex®. The cabinet is then loaded with special heavy duty speakers which are custom designed to accentuate the fundamental and subharmonic frequencies of the guitar.

The BV215B comes standard with casters, steel handles, a heavy duty metal grille for ultimate speaker protection, and a switchable, dual-impedance mono/stereo jackplate.

The BV215B also comes with a 14 gauge speaker cable to help insure maximum power and low frequencies from your new cabinet.

For those wishing to use multiple cabinets, the dimensions of the BV215B have remained the same as the BV412 cabinets to allow secure stacking and visual continuity.

IMPORTANT SAFETY INSTRUCTIONS:

1. Read, follow and keep these instructions. Heed all warnings.
2. This speaker is capable of producing high sound pressure levels that may cause permanent hearing damage. User caution is advised and ear protection is recommended during use.
3. This speaker is designed for use on a sturdy, level surface. Whenever stacking speaker cabinets, do not stack more than two high. Only speaker cabinets which are equipped with caster cups on their top surfaces are to be used underneath a cabinet which is equipped with casters.
4. Speaker cables are a tripping hazard and must be routed out of traffic areas and away from any possible accidental contact.
5. Do not expose this speaker to rain or moisture. Do not place liquid filled containers on this speaker. Clean only with a damp cloth.
6. Repair or service of this speaker should be performed only by qualified personnel.



BV215B Guitar Enclosure

The Input/Output Plate:

(1) Impedance Selector Switch:

Use this switch to select 16 ohm mono operation or 8 ohm stereo/4 ohm mono operation.

(2) Out 1/4" Jack: When using the cabinet in the mono operating mode, use this jack to connect the cabinet to another speaker enclosure of the same impedance.

(3) In/Left 1/4" Jack: When using the cabinet in the mono operating mode, use this jack as the cabinet's input jack. Connect the output of your amplifier to this jack by means of the 14 gauge speaker cable provided.

When using the cabinet in the stereo operating mode, connect this jack to the left channel output of your amplifier.

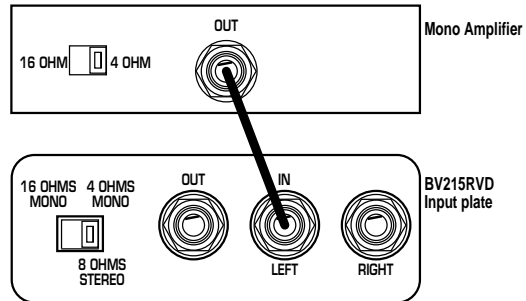
(4) Right 1/4" Jack: When using the cabinet in the stereo operating mode, connect this jack to the right channel output of your amplifier.

When using the cabinet in the mono operating mode, this jack is not used.

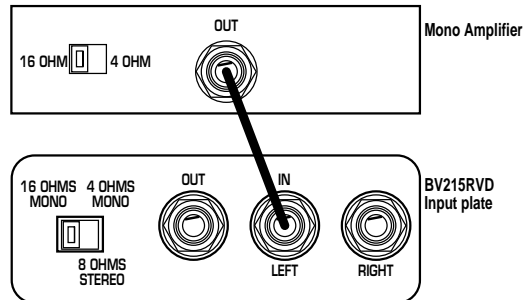
Refer to the illustrations to the right for additional information.



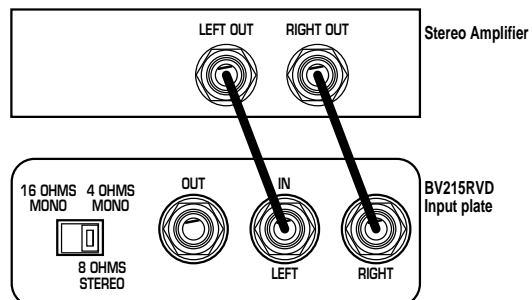
4 Ohm Mono Configuration:



16 Ohm Mono Configuration:



8 Ohm Stereo Configuration:





BV215B Guitar Enclosure

Technical Specifications:

Impedance	4 or 16 ohms Mono, 8 ohms Stereo
RMS Power Rating	300 watts Mono, 150 watts Stereo
Peak Power Handling	1200 watts Mono, 600 watts Stereo
Frequency Response	40Hz – 2.5kHz
Usable Low Frequency Limit	28Hz
Sensitivity	99dB SPL 1 watt/1 meter
Maximum SPL	120dB
Transducers	(2) 15" Custom Design, 8 ohm, 80 oz magnet, 2-1/2" voice coil dia., 150 watts RMS
Full Range Inputs	(3) 1/4" jacks: Mono In/Out, Stereo Left and Right
Dimensions (H x W x D)	31-1/2" x 30" x 14"
Weight	115 lbs

Specifications subject to change without notice.



www.crate.com



©2002 SLM Electronics, Inc. • A Division of St. Louis Music, Inc.
1400 Ferguson Avenue • St. Louis, MO 63133

47-633-01 • 07/02